

sunshower®

health & wellbeing

PURE

BUILD-IN | HALF BODY | INFRARED

ARTICLE NO. 80073 / 80063

TECHNICAL SPECIFICATIONS

SESSION TIME	10 MINUTES + 5 MINUTES COOLING
DIMENSIONS (H*W*D)	619 * 199 * 100 MM (RECESSED)
NET WEIGHT	2.5 KG
IP CODE	IPX5
VOLT/FREQUENTIE	230 V~ / 50 Hz
POWER	1010 W
INSULATION CLASS	I
LAMP TYPE	IR USHIO 1000 W
TEMPERATURE RANGE	10°C - 40°C
HUMIDITY RANGE	20% - 100%



INSTALLATION

- Recessed in cabin wall
 - Prepare electrics in the wall
 - Prepare ventilation in the wall
- Suitable for installation in shower cabin
- Suitable for installation in steam cabin
- Suitable for installation with shower seat

ELECTRICS

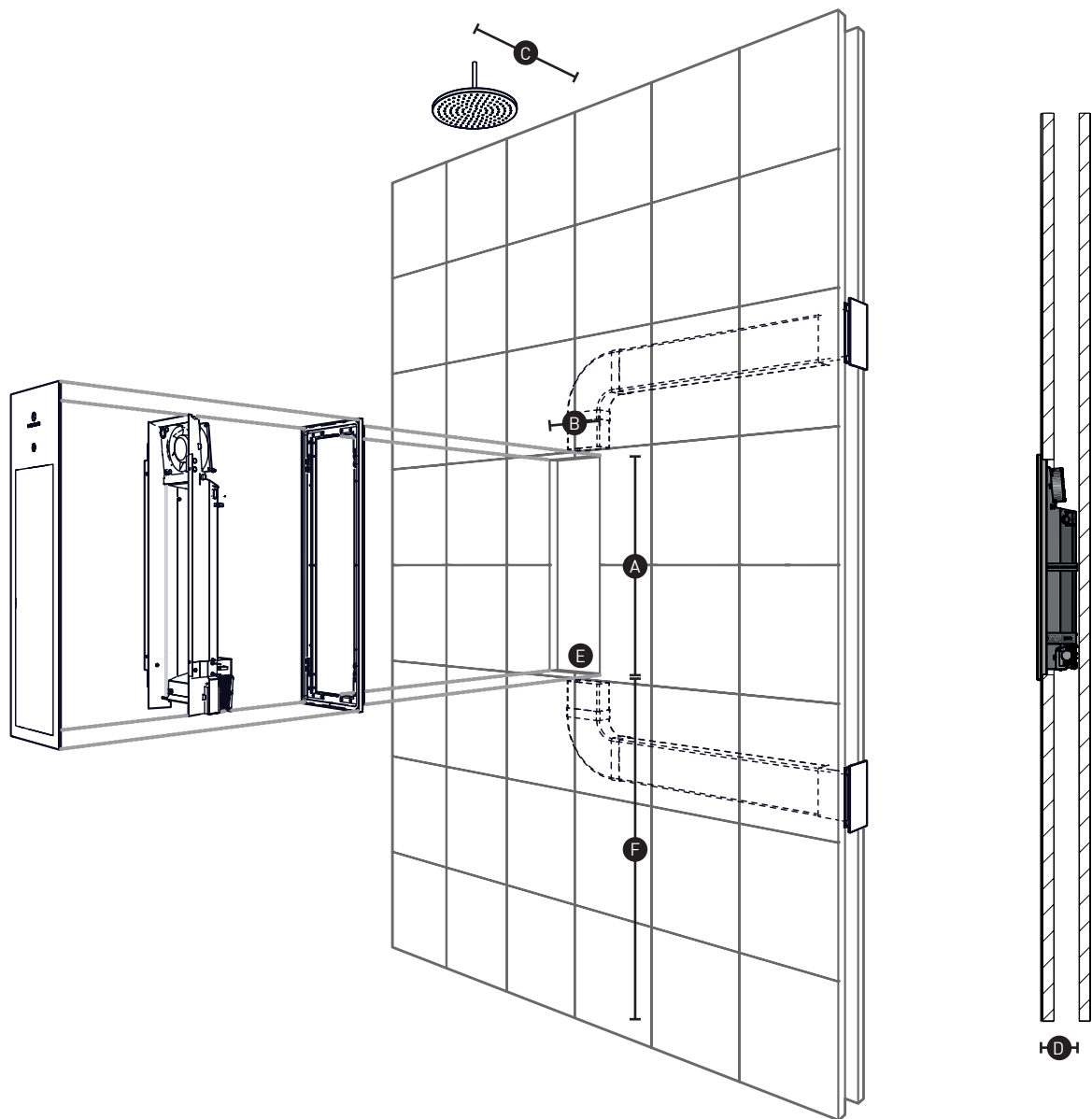
- Can be added to an existing fuse group
- YMKV cable 3x2,5mm² + PE cable 6mm²
- Connect to RCD 30mA

VENTILATION

- Round channel diameter of 100mm or rectangular channel of 110x54mm
- Air intake bottom center, air exhaust top center
- Ventilation to other dry area (minimally 12 m³), outdoor or to the bathroom (in case of an enclosed shower cabin)
- The Sunshower should not be connected to an external ventilator/mechanical ventilation system

sunshower®

health & wellbeing



- A** 596 mm
- B** 176 mm
- C** 450 mm
- D** 100 mm
- E** Electrical connection
- F** 910 mm